

SET

DIAL-A-SIZE SINGLE END TENONER



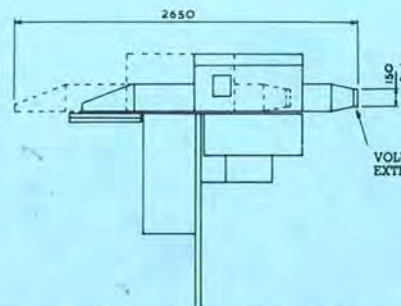
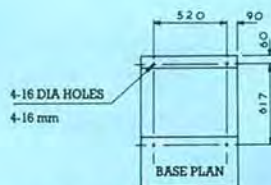
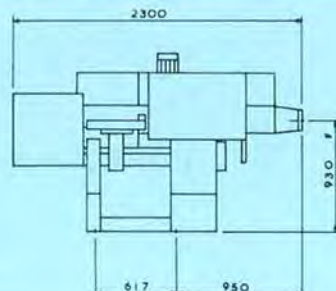
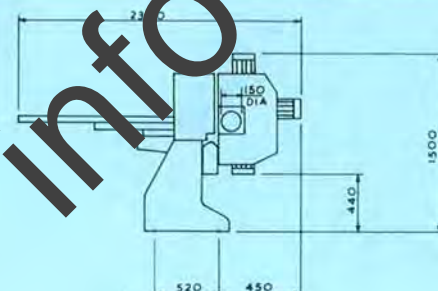
SPECIFICATION

Maximum timber thickness	150 mm (6 in)
Maximum timber width	350 mm (14 in)
Maximum tenon length	150 mm (6 in)
Maximum tenon thickness	32 mm (1¼ in)
Depth of bottom shoulder	60 mm (2½ in)
Shoulder stagger	± 32 mm (1¼ in)
Maximum diameter tenon cutters	340 mm (13½ in)
Tenon spindle diameter	35 mm (1¼ in)
Tenon spindle length	70 mm (2¾ in)
Speed tenon cutterhead	3000 rpm 50 Hz
Speed tenon cutterhead	3600 rpm 60 Hz
Power tenon cutterheads	5.5 kw (6 HP)
Infinitely variable feed speeds	1.6-4 m/min
Length of graduated fence bar	1500 mm (5 ft)
Power of cut-off saw motor (optional extra)	2.2 kw (3 HP)
Maximum diameter of cut-off saw	350 mm (14 in)
Body of cut-off saw	30 mm (1¼ in)
Diameter dust extraction outlet	150 mm (6 in)
Net weight	690 Kg (314 lbs)
Gross weight	840 Kg (382 lbs)
Extraction volume requirement 350 LPS at 100 mm water gauge (740 cfm)	

Basic machine includes

- Dial-a-size tenon thickness
- Dial-a-size bottom shoulder height
- Dial-a-size shoulder stagger
- Graduated fence with shoulder stop
- Two independently adjustable cutterblocks
- Power traverse
- Quick change backing pieces
- Integrated guarding and extraction
- DC Braking to cutterheads
- Operating Manual and service spanners

As our policy is to constantly improve design the details given in the leaflet are not to be regarded as binding



SET FOUNDATION PLAN



Wadkin Durham, Fence Houses, Houghton-le-Spring, Tyne & Wear, England DH4 5RQ

Telephone: (091) 3852385 Telex: 53441 (Burdram G) Fax: (091) 3853311

A division of Wadkin plc

Member of the Thomas Robinson Group plc